



4080-BM, 4080 Miniature Cardioid Microphone, Lavalier

Combining high audio quality and low visibility, the DPA 4080 lavalier is well suited for broadcast, conference, and other live performances.

- excellent speech reproduction
- discreet, compact design
- fits both left and right buttoned shirts
- delivered with both black and white pop filter

Combining high audio quality and low visibility, the DPA 4080 is well suited for broadcast, conference, and other live performances in the studio or in the field.

It is acoustically pre-equalized, offering a 4 dB presence boost, which makes the voice more distinguishable and improves speech intelligibility. Professionals will appreciate the light weight and the excellent speech reproduction.

DPA 4080 is delivered with a pre-mounted black pop filter in a holder with an integrated shock mount, fixed on a clip. An additional white pop filter is enclosed. Because of the flexible and practical mounting solution, the microphone can easily be turned in all directions and fits both left and right buttoned shirts.

All parts of the microphone are manufactured in highly resistant materials and designed to perform under stress.

This mic is also available with connector.

---

For more information please visit:  
[www.dpamicrophones.com](http://www.dpamicrophones.com)

# 4080-BM, 4080 Miniature Cardioid Microphone, Lavalier

## Directional characteristics:

Cardioid

## Principle of operation:

Pressure gradient

## Cartridge type:

Pre-polarized condenser element with vertical diaphragm

## Frequency range, $\pm 2$ dB:

250 Hz – 17 kHz with typ. 4 dB soft boost at 4 – 6 kHz (-5 dB at 100 Hz)

## Sensitivity, nominal, $\pm 3$ dB at 1 kHz:

20 mV/Pa; -34 dB re. 1 V/Pa

## Equivalent noise level A-weighted:

Typ. 23 dB(A) re. 20  $\mu$ Pa (max. 26 dB(A))

## S/N ratio, re. 1 kHz at 1 Pa (94 dB SPL):

Typ. 71 dB(A)

## Total harmonic distortion (THD):

< 1 % up to 123 dB SPL peak, < 1 % up to 120 dB SPL RMS sine

## Dynamic range:

Typ. 100 dB

## Max. SPL, peak before clipping:

134 dB

## Output impedance:

30 – 40 ohm

## Power supply:

For wireless systems: Min. 5 V – max. 50 V through DPA adapter. With DAD6001-BC/DAD6024/DAD4099: 48 V phantom power  $\pm 4$  V for full performance.

## Connector:

MicroDot

## Color:

Black

## Microphone weight:

15 g (0.5 oz) incl. cable and MicroDot connector

## Microphone diameter:

10 mm (0.4 in)

## Capsule diameter:

5.4 mm (0.2 in)

## Microphone length:

30 mm (1.2 in)

## Cable length:

1.2 m (4 ft)

## Cable color:

Black

## Cable diameter:

1.6 mm (0.06 in)

## Cable drive capability:

Up to 300 m (984 ft)

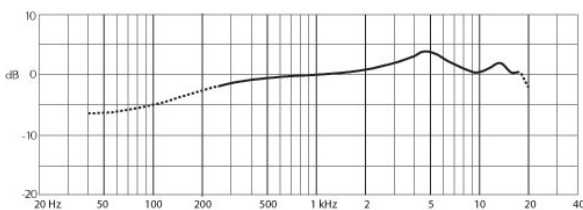
## Polarity:

Positively increasing sound pressure produces positive going voltage on MicroDot pin

## Diagrams

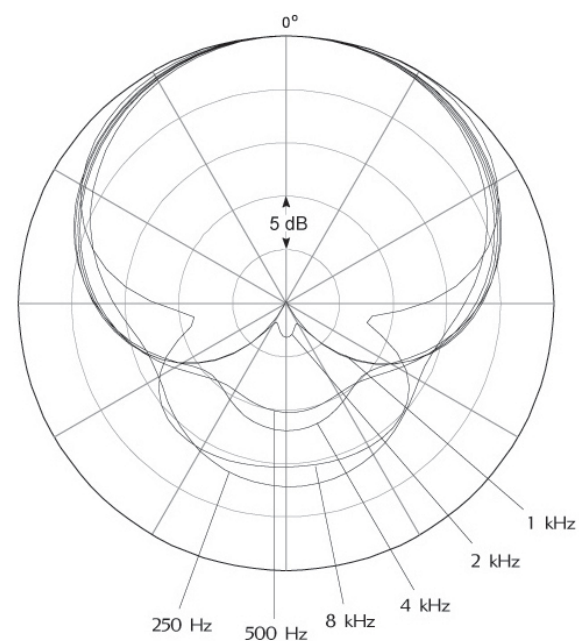
### 4080-BM, 4080 Miniature Cardioid Microphone, Lavalier

On-axis response of DPA 4080 measured at 25 cm (9.8 in).



On-axis response of DPA 4080 measured at 25 cm (9.8 in).

Directional characteristics of DPA 4080 (normalized).



Directional characteristics of DPA 4080 (normalized).



Head Office  
DPA Microphones A/S  
Gydevang 42- 44  
DK-3450 Allerød  
Denmark  
Tel: +45 4814 2828  
Fax: +45 4814 2700  
info@dpamicrophones.com  
www.dpamicrophones.com

US Sales Office  
DPA Microphones, Inc.  
1500 Kansas Avenue, Unit 3A  
Longmont, CO 80501  
USA  
Tel: +1 303-485-1025  
Fax: +1 303-485-6470  
info-usa@dpamicrophones.com  
www.dpamicrophones.com