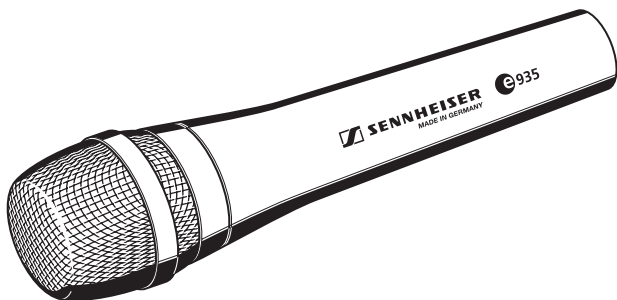


e935

Bedienungsanleitung
Instructions for use
Notice d'emploi
Istruzioni per l'uso
Instrucciones para el uso
Gebruiksaanwijzing



935

High-quality dynamic vocal microphone with cardioid pick-up pattern, specially designed to ensure vocals cut through high on-stage sound levels.

Features

- Exceptional feedback rejection
- Extremely rugged for rough stage use
- “Gain before feedback” increased by 3-6 dB
- Powerful sound with presence boost for improved vocal projection
- Integral shock mount

Delivery includes

 935 microphone

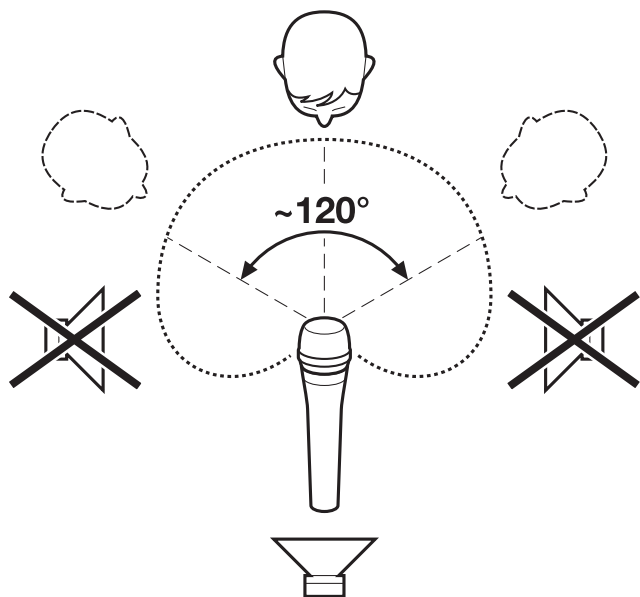
MZQ 800 microphone clamp Cat. No. 4711

Pouch

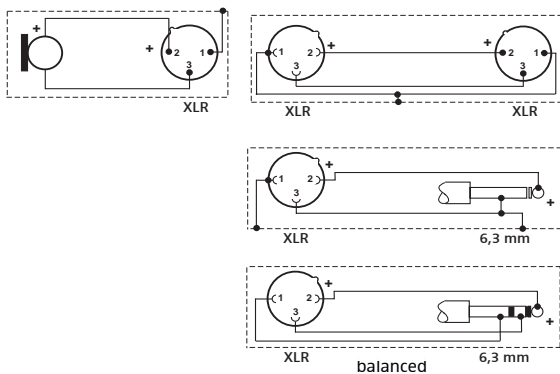
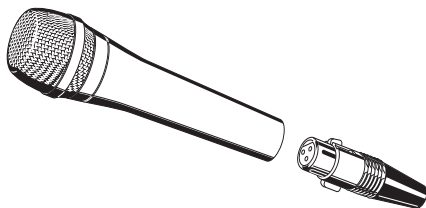
Instruction manual

Guarantee Certificate

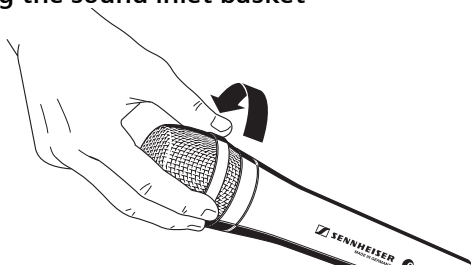
Sound pick-up



Connection details



Removing the sound inlet basket



Specifications

Transducer principle	dynamic
Acoustic operating principle	pressure gradient receiver
Frequency response	40–18,000 Hz
Pick-up pattern	cardioid
Sensitivity (free field, no load) (at 1 kHz)	2.8 mV/Pa \pm 3 dB
Magnetic field interference factor (at 50 Hz)	$\leq 1\mu\text{V}/\mu\text{T}$
Nominal impedance (at 1 kHz)	350 Ω
Min. terminating impedance	1 k Ω
Front-to-back rejection (at 1 kHz and 180°)	> 20 dB
Connector	XLR-3
Weight	355 g
Dimensions	diameter: 46.6 mm, length: 181 mm

Overview of microphone applications

Anwendung	Modell											
	e901	e902	e904	e905	e906	e908B	e908B ew	e908D	e908T ew	e912	e914	e935 /e945
Vocals												x
Choir										x	x	
Studio, acoustic instruments					x					x	x	
Orchestra											x	
Trumpets,Trombones			x			x			x			
Saxophone			x			x	x					
Acoustic guitar											x	
Acoustic bass											x	
Guitar amplifiers					x							
Bass amplifiers		x										
Leslie	x	x	x	x								
Piano, grand piano										x	x	
Kick Drum	x	x										
Snare Drum			x	x	x			x				
Rack toms			x	x	x	x		x				
Floor toms		x	x	x	x			x				
Congas			x		x	x		x				
Cymbals											x	
Percussion			x	x	x	x		x			x	
Overhead											x	
Conference table, altar										x		
Lectern										x		
Theater stage										x		

Manufacturer declarations

Warranty

2 years

Approval



Sennheiser electronic GmbH & Co. KG declare that this device is in compliance with the applicable CE standards and regulations.

WEEE Declaration



Please dispose of this product at the end of its operational lifetime by bringing it to your local collection point or recycling centre for such equipment.





Sennheiser electronic GmbH & Co. KG
30900 Wedemark, Germany
Phone +49 (5130) 600 0
Fax +49 (5130) 600 300
www.sennheiser.com

Printed in Germany

Publ. 03/06

89058/A03